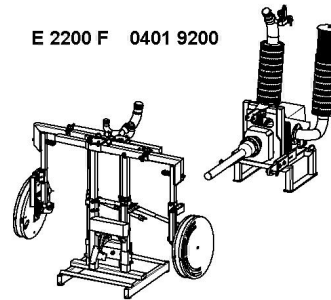


RAPTOR 2 Leaf Remover 2½ ROWS : **REF. E2200 F**



- ◆ Machine that operates **2 ½ rows** at the front on an inter-rows tractor.
- ◆ With **air compressor on the back on 3 points linkage** on PTO (**540 RPM**).
- ◆ Equipped with **2 defoliating heads 180°** double slots with 2 different diameters = (Patented COLLARD).
- ◆ **Manual inclination** of the 2 defoliating heads.
- ◆ **Adjustable defoliating height** by rotation of the defoliating heads +/- 90°.
- ◆ **Electric controls distributor (1SE + 4 DE)** with ergomisc handle.
- ◆ Hydraulic adjustments : **4 cylinders**
 - UP/DOWN independent of the 2 ½ rows,
 - IN/OUT independent of the 2 ½ rows.
- ◆ Electric **oil flow regulator** to adjust the nozzle's rotation speed.
- ◆ Silencer equipped with filter.
- ◆ Equipped with a **3 ways pneumatic valve selector**.
- ◆ With **special reinforced frame** to obtain between the 2 defoliating heads a distance of 1.80m to 3.30m.
- ◆ **JIC** connections.

OPTIONS :

◆ Prefiltration kit
REF. = 0000 1638

◆ Ventilation kit
REF. = 0000 1637

